



KUOPIO SKI GAMES


INVITATION

We cordially invite all member associations of the FIS to participate in the
FIS SKI JUMPING & NORDIC COMBINED WORLD CUP KUOPIO – PUIJO SKI GAMES on February 23rd 2016
in Kuopio Finland

PROGRAMME (LOC time)

Sunday 21.2.2016

Team arrival from Lahti to Kuopio

Monday 22.2.2016

- 10.00 – 12.00 Nordic Combined: free XC training
- 11.00 Nordic Combined: Team Captains' meeting at hotel Savonia
- 13.00 Ski Jumping: Team Captains' meeting at hotel Savonia
- 13.00 Nordic Combined: SJ HS 127 official training, two rounds
- 14.00 TV-coordination meeting at hotel Savonia
- 16.00 Ski Jumping, Training, 2 rounds HS 127
- 18.15 Ski Jumping: Qualification HS 127
- 20.00 Nordic Combined: PCR / qualification HS 127

Tuesday 23.2.2016

- 12.30 Nordic Combined: SJ HS 127 Trial round
- 13.30 Nordic Combined: SJ HS 127 competition
- 16.00 Nordic Combined: XC 10 km Ind. Gundersen
- 19.00 Ski Jumping: Trial round HS 127
- 19.45 Opening Ceremony
- 20.00 Viessmann Ski Jumping World Cup HS 127, 2 rounds
Prize giving ceremony and fireworks

Wednesday 24.2.2016

Travel day

ENTRY

The entries and accommodation reservations must be done by FIS online Entry System on www.fis-ski.com.

Deadline for preliminary entries 12th of January 2016.

Deadline for final numbers and transportation 15th of February 2016.

Late entries can unfortunately not be able guarantee all services according to Rules.

RADIO LICENSE APPLICATION

Ski Jumping teams can apply for radio license to FIS World Cup events in Lahti and in Kuopio with the same application. Deadline for the radio license application only for Kuopio World Cup event is 15th February 2016 and **has to be sent to FICORA** (Finnish Communications Regulatory Authority) **directly** :
radiotaajuudet@ficora.fi or fax +358 9 6966 410.

For more information on policies and needed forms in Finland www.ficora.fi



TRANSPORTATION

The Organizing Committee will arrange transportation between Kuopio airport and hotels and shuttle bus service from hotels to service and team areas. Teams must send arrival and departure times and flight numbers via FIS Online Entry system. Additional transport from Kuopio to Helsinki airport on Tuesday 23rd February after competition is available for Nordic Combined teams.

Charter bus service will be organized for the teams **from Lahti to Kuopio** on 21st February after the events in Lahti. Skis and other equipment are transported to Kuopio in separate transportation during the Sunday evening. Price for charter is 30 euros/person. The expenses must be paid during the transportation from Lahti to Kuopio in cash.

ACCOMMODATION

For Ski Jumping teams: Hotel Savonia & Hotel Scandic.

For Nordic Combined teams: Hotel Kunnonpaikka

FIS HOTEL: Hotel Scandic

SKI JUMPING:

Technical Delegate

TD Assistant

Chief of Competition

Assistant Chief of Competition

Judges

TECHNICAL DELEGATES AND JUMPING JUDGES

Pertile Sandro ITA

Mlakar Marko SLO

Karjalainen Janne FIN

Hiltunen Seppo FIN

Nieminen Teppo FIN

Winkler Jürgen AUT

Tanaka Shinya CAN

Göbel Angelika GER

Ograjensek Luka SLO

NORDIC COMBINED:

Technical Delegate

TD Assistant

TD Assistant

Chief of Competition

Assistant Chief of Competition

Judges

TECHNICAL DELEGATES AND JUMPING JUDGES

Zarucci Marco SUI

Abratis Thomas GER

Mantila Jarkko FIN

Aalto Asko FIN

Pursiainen Tuomas FIN

Nieminen Teppo FIN

Winkler Jürgen AUT

Tanaka Shinya CAN

Göbel Angelika GER

Ograjensek Luka SLO



RESTRICTIONS

FIS rules will apply. The number of participants must comply with World Cup rules and regulations.

LIABILITY

Each competitor must be insured by his/her own association. The OC have coverage for their own third part liability only.

EXPENSES

Financial conditions according to the FIS World Cup regulations. For electronic payments IBAN and BIC-codes are needed. Travel moneys etc. will be taken care at Lahti Ski Games Financial office.

ACCREDITATION

Accreditation office is located at hotel Savonia (Sammakkolammentie 2, 70200 Kuopio)

Opening hours:

Monday 22.2. 09.00 – 19.00

Tuesday 23.2..09.00 – 17.00

MEDIA CENTRE

Media Centre is located at the Ski stadium building (Hiihto Stadion) at the venue.

Opening hours:

Monday 22.2. 14.00 – 20.00

Tuesday 23.2. 12.00 – 20.00

SERVICE AND ATHLETE AREA

Service and athlete area is located down on the hill, near the ski lift building. Food and drinks for teams is served at ski lift building. For Nordic Combined XC, there'll be another service area at the ski stadium.

INFORMATION

Puijo Ski Games &Puijo Ski Club

www.puijonkisat.fi/event-team-info

ORGANIZING COMMITTEE:

Event Director

Jarkko Ruhanen

mob. +358-400-152712

E-mail: jarkko.ruhanen@puijonkisat.fi

Chairman

Raimo Tamminen

mob. +358-400-177916

E-mail: hill@puijonhihtoseura.fi

Chief of Ceremony

Jukka Salmi

mob. +358-40-7776563

E-mail: jukka.a.salmi@outlook.com

Chief of accreditation

Kirsi Hänninen

mob. +358-500-282505

E-mail: kirsi.hanninen@phnet.fi

Chief of transportation and attaches

Sari Holopainen

mob. +358-44-3078850

E-mail: sariholopainen@hotmail.com

Chief of competition office

Ulla-Maija Alanne

mob. +358-50-3051713

E-mail: puijoskigames@gmail.com

Chief of media and press

Chief of mixed zone

Sanni Kivipelto

mob. +358-50-5909163

E-mail: sanni.kivipelto@source.fi

Welcome to Kuopio - See you all soon!

**Puijo Ski Games
Organizing Committee**



Puijo Ski Club

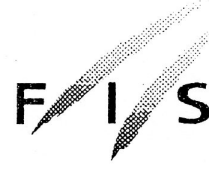


Finnish Ski Association



City of Kuopio





No. 331 / FIN 26 3. Verlängerung

CERTIFICATE OF JUMPING HILL
CERTIFICAT DE CONFORMITE
SCHANZENPROFILBESTÄTIGUNG

Date of issue 22.10.2011
Établi le
Ausgestellt am

Valid till 31.12.2016
Valable jusq' au
Gültig bis

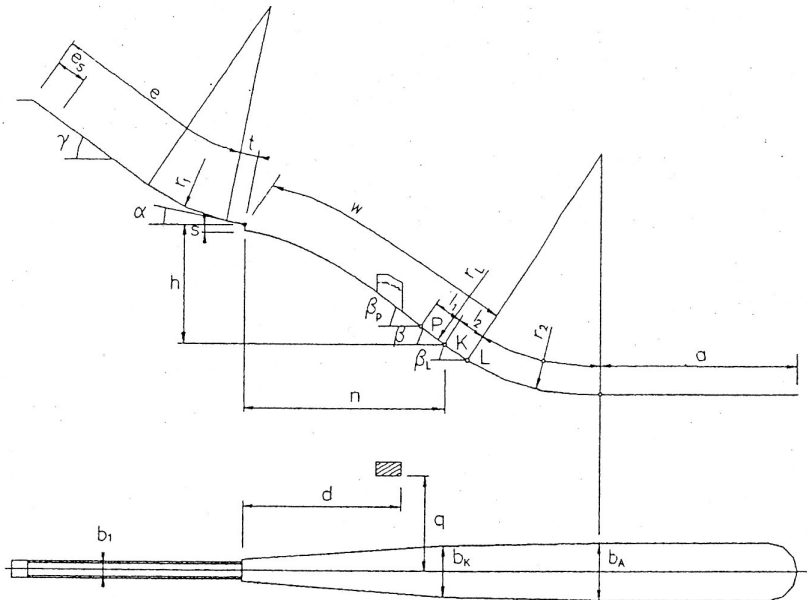
Place: Kuopio

Name: Puijo K120

HS = 127m

h/n 0.575

Vo = 26,5 m/s



e = 92 m	$l_1 = 14.83$ m	P = 105 m
$e_s = 24.84$ m	$l_2 = 6.95$ m	K = 120 m
t = 6.6 m	a = 94 m	L = 127 m
$\gamma = 35^\circ$	$\beta_p = 37.75^\circ$	$b_1 = 3.0$ m
$\alpha = 10.9^\circ$	$\beta = 35.2^\circ$	$b_K = 23$ m
$r_1 = 94.8$	$\beta_L = 33.7^\circ$	$b_A = 23.45$ m
h = 59.51 m	$r_L = 283.26$ m	d = 63 m
n = 103.51 m	$r_2 = 94.80$ m	q = 42.05 m
s = 3.0 m		

JUMPING HILL APPROVED BY THE FIS
TREMPLEIN HOMOLOGUE PAR LA FIS
DURCH DIE FIS GENEHMIGTE SPRUNGSCHANZE

SUB-COMMITTEE FOR JUMPING HILLS

CHAIRMAN: