

No.

290 / NOR 40

certificate after reconstruction

CERTIFICATE OF JUMPING HILL CERTIFICAT DE CONFORMITE SCHANZENPROFILBESTÄTIGUNG

Date of issue 22.12.2023
Établi le
Ausgestellt am

Valid till 30.04.2028
Valable jusqu' au
Gültig bis

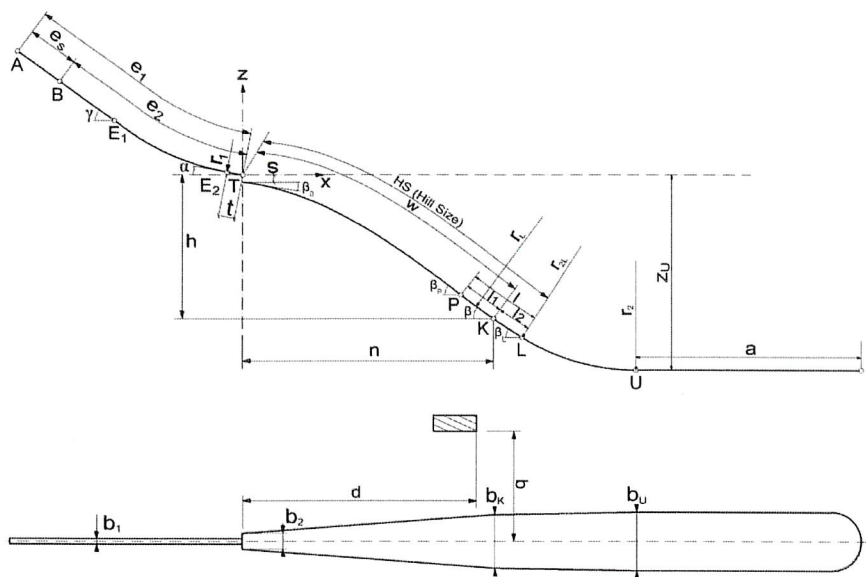
Place: Trondheim

Name: Granåsen

HS = 105 m

$h/n = 0,548$

$V_0 = 24,25$ m/s



$e_1 = 94,20$ m	$V_0 =$	$P = 82,50$ m
$e_2 = 67,70$ m	$l_1 = 11,50$ m	$K = 94,00$ m
$e_s = 26,50$ m	$l_2 = 11,00$ m	$L = 105,00$ m
$t = 6,50$ m	$a = 61,52$ m	$b_1 = 2,50$ m
$s = 2,20$ m	$\beta_p = 36,76^\circ$	$b_2 = 7,50$ m
$\gamma = 35,00^\circ$	$\beta = 33,94^\circ$	$b_k = 18,80$ m
$\alpha = 11,10^\circ$	$\beta_L = 30,71^\circ$	$b_u = 20,70$ m
$r_1 = 95,00$ m	$r_L = 220,00$ m	$d = /$ m
$h = 44,89$ m	$r_{2L} = 125,50$ m	$q = /$ m
$n = 81,90$ m	$r_2 = 98,00$ m	$z_u = 65,93$ m

Remarks / Bemerkungen

- inspection by Hubert Mathis (6th September 2023, release 29th November 2023)
- the comments in the inspection-report must be observed and fulfilled for the validity of the certification.
- the hill owner is responsible for compliance with the (FIS ICR) standards during training and competition.

JUMPING HILL APPROVED BY THE FIS
TREMP LIN HOMOLOGUE PAR LA FIS
DURCH DIE FIS GENEHMIGTE SPRUNGSCHANZE

SUB-COMMITTEE FOR JUMPING HILLS

CHAIRMAN:

Hans-Martin Renn