

No. 411 / GER 64 temporary certificate for FIS-Alpencup 09/2022

CERTIFICATE OF JUMPING HILL CERTIFICAT DE CONFORMITE SCHANZENPROFILBESTÄTIGUNG

Date of issue 11.09.2022
Établi le
Ausgestellt am

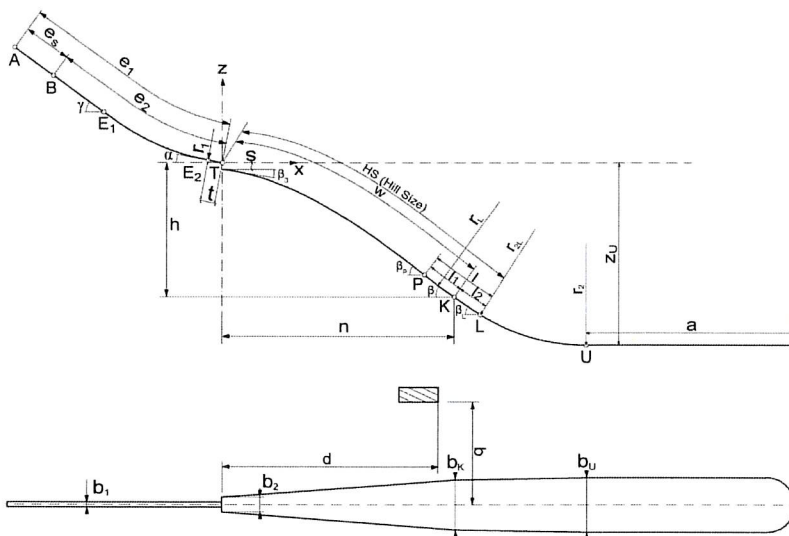
Valid till 30.09.2022
Valable jusqu' au
Gültig bis

Place: Degenfeld

Name: 75-Meter-Schanze

HS = 83 m h/n = 0,53

Vo = 23,16 m/s



$e_1 = 85,66 \text{ m}$	$l_1 = 6,98 \text{ m}$	$P = 68,00 \text{ m}$
$e_2 = 60,00 \text{ m}$	$l_2 = 8,01 \text{ m}$	$K = 75,00 \text{ m}$
$e_s = 19,56 \text{ m}$ 41 gates	$a = 82,63 \text{ m}$	$L = 83,00 \text{ m}$
$t = 6,10 \text{ m}$	$\beta_p = /^\circ$	$b_1 = 2,26 \text{ m}$
$s = 1,87 \text{ m}$	$\beta = 32,37^\circ$	$b_K = 15,00 \text{ m}$
$\gamma = 35,00^\circ$	$\beta_L = /^\circ$	$b_U = 16,50 \text{ m}$
$\alpha = 10,50^\circ$	$r_L = 160,00 \text{ m}$	$d = 45,00 \text{ m}$
$r_1 = 70,00 \text{ m}$	$r_{2L} = 100,00 \text{ m}$	$q = 18,75 \text{ m}$
$h = 34,95 \text{ m}$	$r_2 = 85,00 \text{ m}$	$z_U = 50,47 \text{ m}$
$n = 65,94 \text{ m}$		

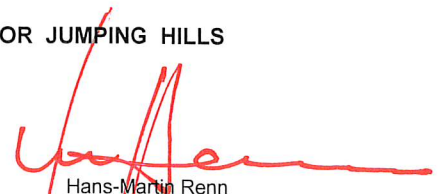
Remarks / Bemerkungen

- inspection by Daniel Köhler (7th September 2022) and release by Christian Kathol
- the remarks of the inspection-report must be observed and fulfilled for the validity of the certification.
- for fulfilling the (FIS-ICR) standards of the jumpinghill, the owner is responsible during training and competition.
- a permanent certificate (winter + summer) can be issued after a regular FIS inspection.

JUMPING HILL APPROVED BY THE FIS
TREPLIN HOMOLOGUE PAR LA FIS
DURCH DIE FIS GENEHMIGTE SPRUNGSCHANZE

SUB-COMMITTEE FOR JUMPING HILLS

CHAIRMAN:



Hans-Martin Renn