

No.

215 / GER 29

certificate after hill renewing in 2019/20

**CERTIFICATE OF JUMPING HILL
CERTIFICAT DE CONFORMITE
SCHANZENPROFILBESTÄTIGUNG**

Date of issue 20.07.2020
Établi le
Ausgestellt am

Valid till 31.04.2025
Valable jusq' au
Gültig bis

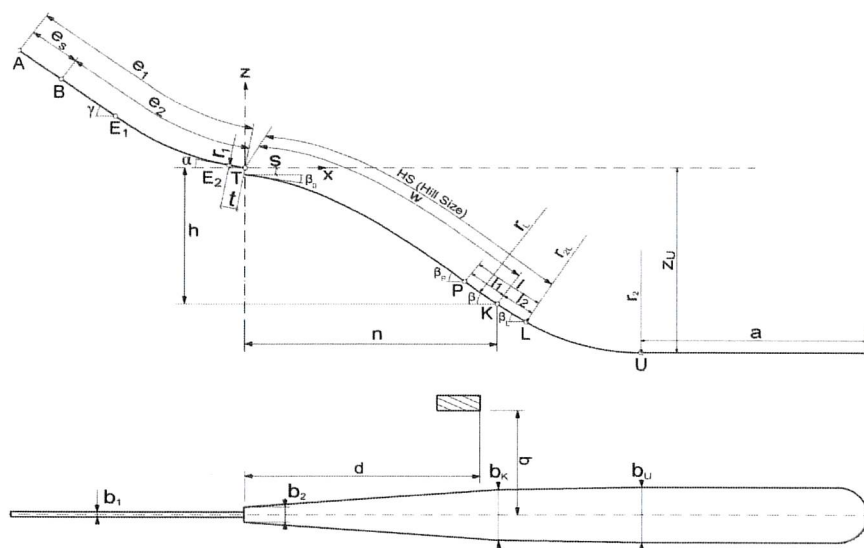
Place: Oberstdorf

Name: Schattenberg

HS = 106 m

h/n = 0,541

Vo = 25,00 m/s



$e_1 = 95,50 \text{ m}$	$l_1 = 11,52 \text{ m}$	$P = 83,48 \text{ m}$
$e_s = 20,70 \text{ m}$ 42 gates (29/42cm)	$l_2 = 10,43 \text{ m}$	$K = 95,00 \text{ m}$
$t = 6,50 \text{ m}$	$a = 90,00 \text{ m}$	$L = 105,43 \text{ m}$
$\gamma = 35,00^\circ$	$\beta_p = 37,00^\circ$	$b_1 = 2,37 \text{ m}$
$\alpha = 11,00^\circ$	$\beta = 34,50^\circ$	$b_2 = 6,05 \text{ m}$
$r_1 = 95,00 \text{ m}$	$\beta_L = 32,00^\circ$	$b_K = 19,00 \text{ m}$
$h = 44,93 \text{ m}$	$r_L = 220,00 \text{ m}$	$b_U = 20,90 \text{ m}$
$n = 83,07 \text{ m}$	$r_{2L} = 106,50 \text{ m}$	$d = 58,98 \text{ m}$
$s = 2,20 \text{ m}$ winter	$r_2 = 106,60 \text{ m}$	$q = 24,00 \text{ m}$
	$z_U = 65,40 \text{ m}$	

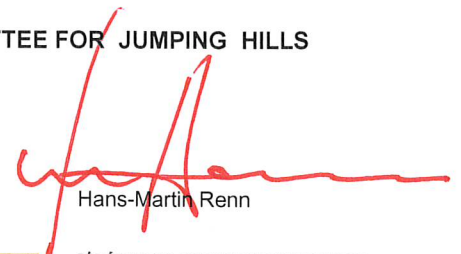
Remarks / Bemerkungen

- inspection by Pierre Bailly (3rd July 2020)
- The operator is responsible for compliance with the FIS ski jumping hill construction norms and the FIS International Competition Rules (ICR) during training and competitions
- the remarks of the inspection-report must be observed and fulfilled for the validity of the certification.

JUMPING HILL APPROVED BY THE FIS
TREMPLEIN HOMOLOGUE PAR LA FIS
DURCH DIE FIS GENEHMIGTE SPRUNGSCHANZE

SUB-COMMITTEE FOR JUMPING HILLS

CHAIRMAN:



Hans-Martin Renn