

378 / RUS 2 **1st prolongation**

**CERTIFICATE OF JUMPING HILL  
CERTIFICAT DE CONFORMITE  
SCHANZENPROFILBESTÄTIGUNG**

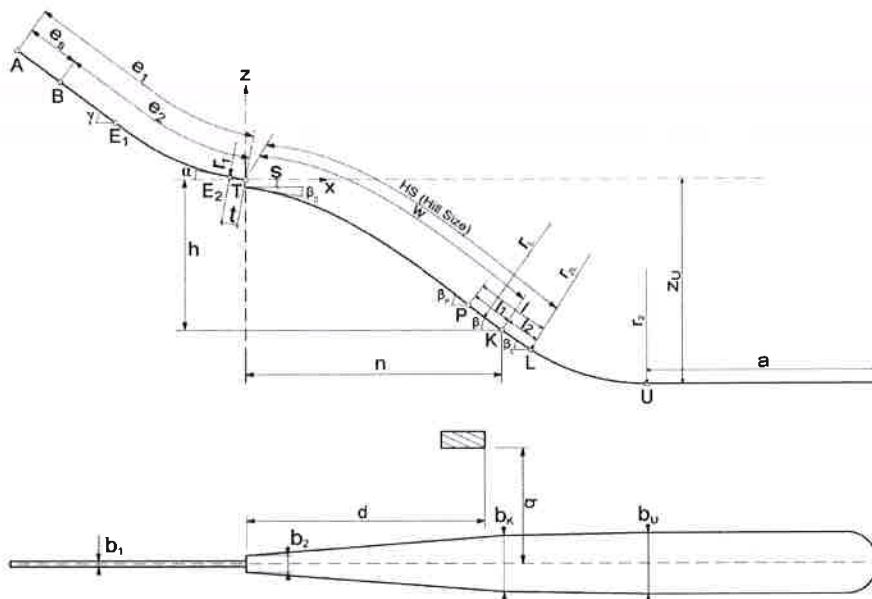
Date of issue 01.09.2017  
Établi le  
Ausgestellt am

Valid till 31.08.2022  
Valable jusqu' au  
Gültig bis

Place: Chaykovskiy

Name: Chaykovskiy HS102

HS = 102 m h/n 0,547 Vo = 25,00 m/s



e = 92,82 m	l <sub>1</sub> = 9,60 m	P = 85,00 m
e <sub>s</sub> = 22,90 m	l <sub>2</sub> = 7,29 m	K = 94,60 m
t = 6,55 m	a = 83,50 m 7,5° steigend	L = 102,00 m
γ = 35,00 °	β <sub>p</sub> = 35,00 °	b <sub>1</sub> = 2,41 m
α = 10,50 °	β = 32,70 °	b <sub>2</sub> = 10,30 m
r <sub>1</sub> = 96,09 m	β <sub>L</sub> = 32,00 °	b <sub>K</sub> = 18,90 m
h = 45,59 m	r <sub>L</sub> = 220,00 m	b <sub>U</sub> = 20,90 m
n = 82,34 m	r <sub>2L</sub> = 166,50 m	d = 65,47 m
s = 2,38 m	r <sub>2</sub> = 107,00 m	q = 24,70 m

**Remarks / Bemerkungen**

1. inspection by Richard Kaiser (27th August 2017)
2. the red written remarks of the inspection-report must be observed and fulfilled for the validity of certification.
3. for the standards for the construction of jumping hills (ICR) the owner is responsible during the training and competition.

JUMPING HILL APPROVED BY THE FIS  
TREMPLIN HOMOLOGUE PAR LA FIS  
DURCH DIE FIS GENEHMIGTE SPRUNGSCHANZE

SUB-COMMITTEE FOR JUMPING HILLS

CHAIRMAN:

Hans-Martin Renn