

No. 10 / AUT 10 **3rd prolongation**
CERTIFICATE OF JUMPING HILL
CERTIFICAT DE CONFORMITE
SCHANZENPROFILBESTÄTIGUNG

Date of issue 11.09.2022
 Établi le
 Ausgestellt am

Valid till **30.04.2027**
 Valable jusq' au
 Gültig bis

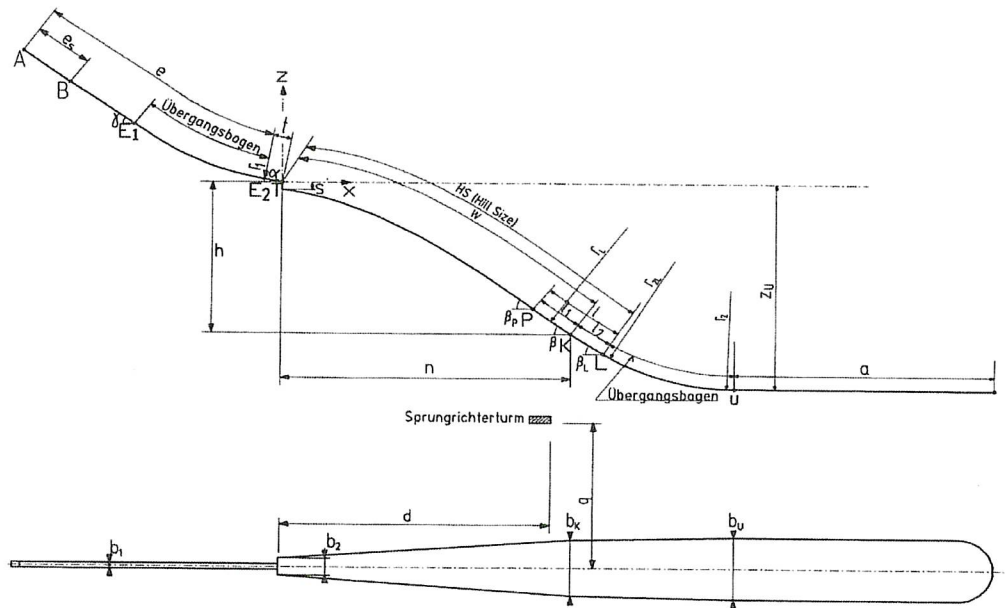
Place: Stams

Name: Brunntal-Schanze

HS = 115 m

$h/n = 0,568$

$V_0 = 25,60$ m/s



$e = 93,80$ m		$l_1 = 10,00$ m	$z_U = 75,36$ m
$e_s = 24,15$ m	40 gates, á 62cm, 35/50cm	$l_2 = 10,00$ m	$P = 95,00$ m
$t = 6,60$ m		$a = 89,70$ m	$K = 105,00$ m
$\gamma = 35,00^\circ$		$\beta_p = 37,40^\circ$	$L = 115,00$ m
$\alpha = 11,00^\circ$		$\beta = 38,00^\circ$	$b_1 = 2,09$ m
$r_1 = 97,00$ m		$\beta_L = 33,00^\circ$	$b_K = 17,90$ m
$h = 51,87$ m		$r_L = /$ m	$b_U = 19,65$ m
$n = 91,28$ m		$r_{2L} = /$ m	$d = 72,00$ m
$s = 3,50$ m		$r_2 = 117,00$ m	$q = 26,00$ m

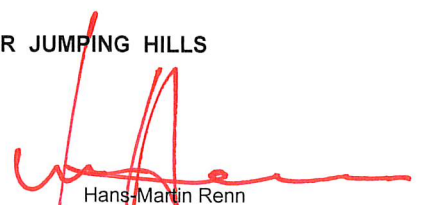
Remarks / Bemerkungen

1. inspection by Josef Slavik (10th May 2022)
2. the remarks of the inspection-report are must be observed and fulfilled for the validity of certification.
3. for fulfilling the (FIS/ICR) standards of the jumpinghill, the owner is responsible during training and competition.

JUMPING HILL APPROVED BY THE FIS
 TREMPLIN HOMOLOGUE PAR LA FIS
 DURCH DIE FIS GENEHMIGTE SPRUNGSCHANZE

SUB-COMMITTEE FOR JUMPING HILLS

CHAIRMAN:



Hans-Martin Renn