

No.

149 / GER 19

certificate after renewing in 2019/20

CERTIFICATE OF JUMPING HILL CERTIFICAT DE CONFORMITE SCHANZENPROFILBESTÄTIGUNG

Date of issue 20.07.2020
Établi le
Ausgestellt am

Valid till 31.04.2025
Valable jusqu' au
Gültig bis

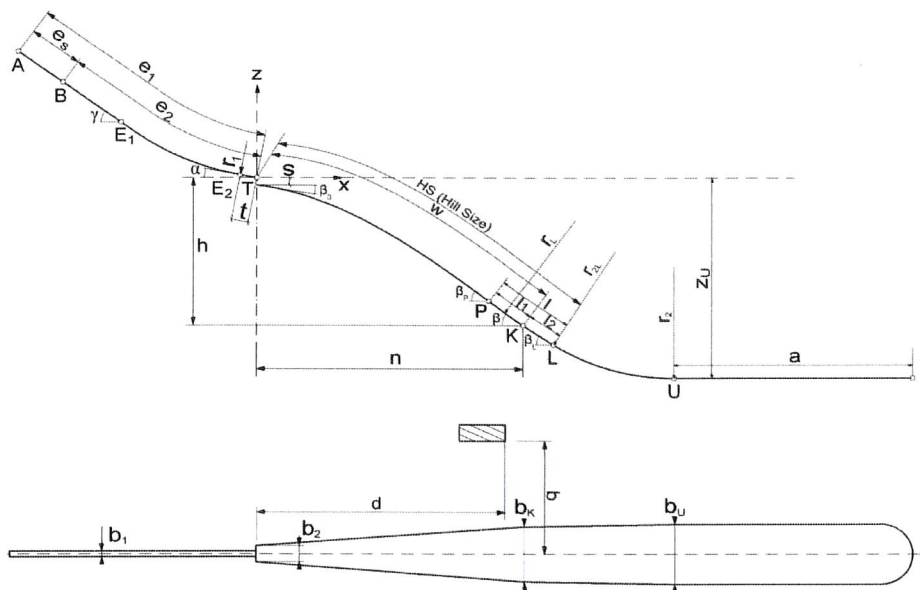
Place: Oberstdorf

Name: Schattenberg

HS = 137 m

$h/n = 0,575$

$V_o = 25,90$ m/s



$e_1 = 106$ m	$l_1 = 11.15$ m	$P = 108.85$ m
$e_s = 27$ m 54 gates à 29/41cm	$l_2 = 17.42$ m	$K = 120$ m
$t = 6.5$ m	$a = 95$ m	$L = 137.42$ m
$\gamma = 35^\circ$	$\beta_p = 37.43^\circ$	$b_1 = 2.82$ m
$\alpha = 11.0^\circ$	$\beta = 35.50^\circ$	$b_K = 24.00$ m
$r_1 = 115$ m	$\beta_L = 33.56^\circ$	$b_A = 26.40$ m
$h = 59.52$ m	$r_L = 321 / 757.63$ m	$d = 87$ m
$n = 103.51$ m	$r_2 = 100$ m	$q = 44$ m
$s = 3.38$ m	$Z_U = 86,06$ m	

Remarks / Bemerkungen

- inspection by Pierre Bailly (3rd July 2020)
- The operator is responsible for compliance with the FIS ski jumping hill construction norms and the FIS International Competition Rules (ICR) during training and competitions
- the remarks of the inspection-report must be observed and fulfilled for the validity of the certification.

JUMPING HILL APPROVED BY THE FIS
TREPLIN HOMOLOGUE PAR LA FIS
DURCH DIE FIS GENEHMIGTE SPRUNGSCHANZE

SUB-COMMITTEE FOR JUMPING HILLS

CHAIRMAN:



Hans-Martin Renn